

UNTHA

shredding technology

The reliable brand!

TR

1-shaft-shredder for the post shredding
of high calorific fraction



TR2500, TR3200, TR4000

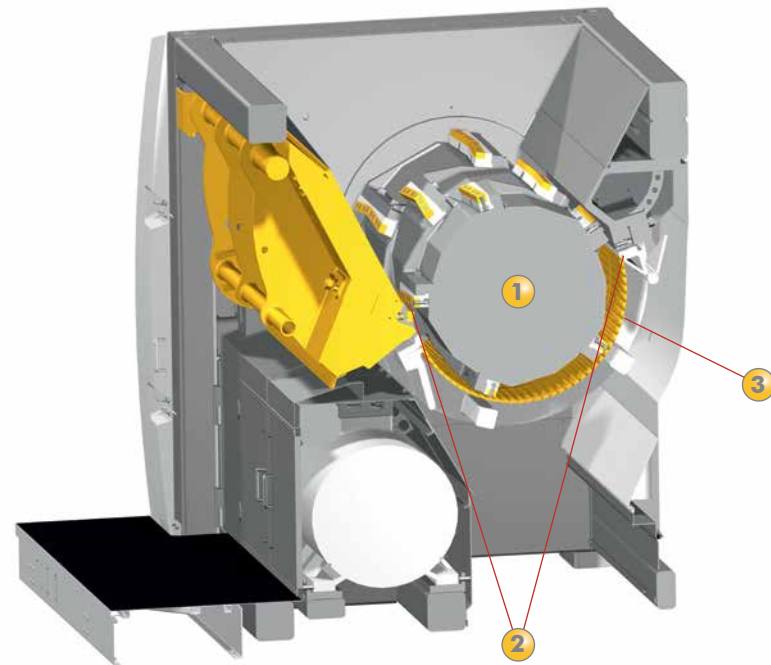
RELIABLE POST-SHREDDER FOR WASTE TO ENERGY/SRF

The reliable and powerful TR series has been specifically developed for the post-shredding of fraction with high calorific value and is mainly used in the preparation of secondary fuels.

With its high uptime and enormous throughput, the TR series is among the most profitable post-shredding equipment in the world. Some highlights among the many quality features are the quick-change cutting system, highly effective protection from foreign matter and incredibly low operating costs.

FUNCTION AND DESIGN

Thanks to the huge diameter of the rotor and the specific geometry of the shredder casing, the rotor ① is able to pull in the material independently and the waste is pressed against the cutting bars ② and shredded. The perforated screen ③ determines the size of the final fraction.



A SELECTION OF IMPLEMENTED APPLICATIONS

- Treated household waste
- Treated industrial and commercial waste
- Bales of pre-shredded plastics
- Pre-shredded plastic film
- Plastic waste from vehicle dismantling
- Pre-shredded waste from the plastics industry
- Packaging materials
- etc.

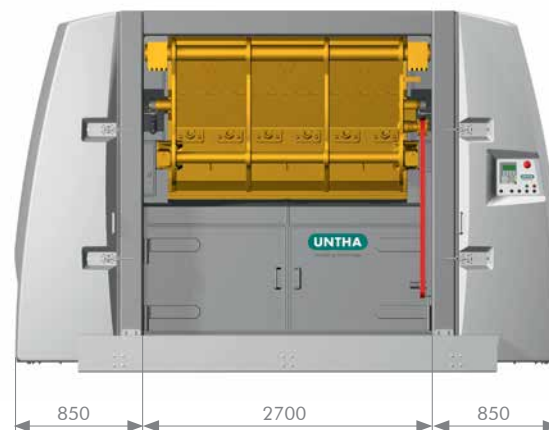


TR SERIES

1-shaft shredding system

TECHNICAL DATA		TR2500	TR3200	TR4000
Driving power	kW	250	315	400
Electrical control		star-delta/ frequency inverter	frequency inverter	frequency inverter
Hydraulic power	kW	3.0	3.0	3.0
Ø Rotor	mm	1,100	1,100	1,100
Rotor speed	U/min	175	175	220
Weight	t	ca. 22	ca. 24	ca. 25
Throughput*	t/h	up to 12	up to 15	up to 18

*) depending on: Quality of material and diameter of perforated screen
All dimensions in mm.



YOUR BENEFIT

High availability

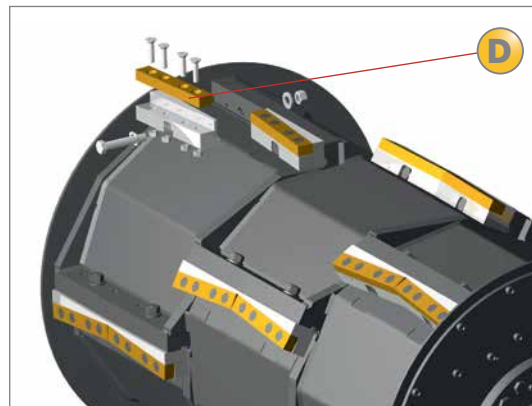
- > Uptime increased by up to 10 % thanks to quick-change cutting system **(A)** (5,000 t/year in two-shift operation)
- > Effective protection from foreign matter: the gate **(B)** opens automatically and in addition the drive train has a safety coupling
- > Simple and therefore highly failsafe drive concept **(C)** with single-step timing belt drive without gear
- > Control cabinet in dust-proof design

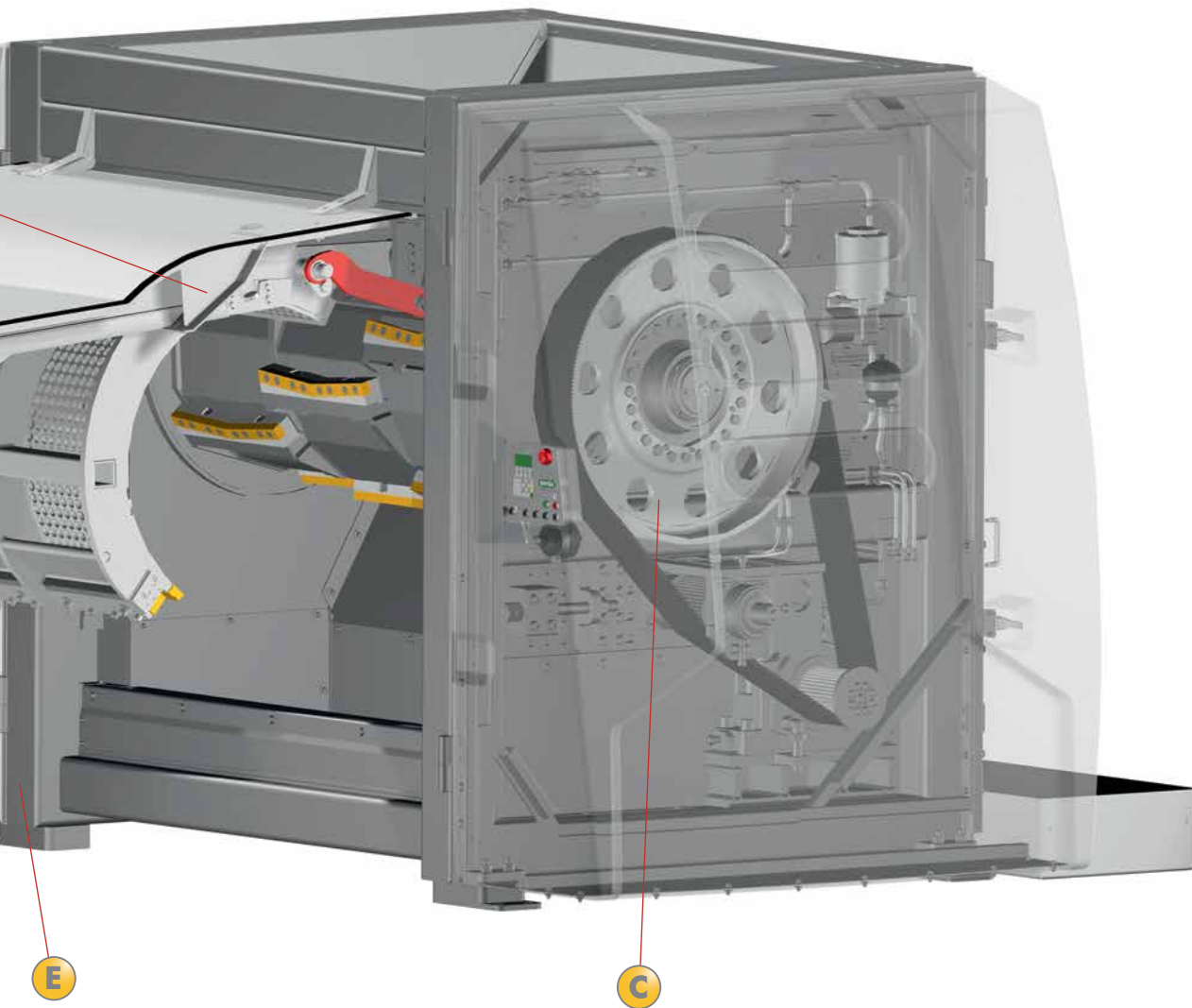
Low operating costs

- > No ram required
- > Energy-efficient drive system (timing belt drive without gear)
- > Long service life thanks to 4-fold rotatability of the indexable inserts **(D)** and stator blades
- > Low maintenance costs thanks to short downtime for replacing the cutters, long maintenance intervals and automatic central lubrication system

High throughput

- > Very large rotor diameter (1,100 mm) – hence larger screen surface
- > Frequency inverter for infinite speed adjustment





Simple operation

- > SRC¹⁾ panel with integrated 7" touch screen and high resolution colour display (simple menu navigation)

Robust, straight-forward design

- > Steel frame structure (E) made from warp-resistant and solid special section tubes for heavy duty applications and low-vibration running
- > Frame structure makes compact design possible – small footprint
- > All machine components are easily accessible via maintenance gates; no tools needed to open them
- > Integrated noise reduction system (F) to reduce noise emissions by 5-10 dBA

Options

- > Ventilation system to protect the components from dust and contamination
- > Discharge belt for swift and safe discharge of material; thanks to the belt, the machine can be set up directly on the floor; no additional steel structures or frames required
- > Extension hopper with fill level monitoring
- > SRC(E)²⁾ panel with 15" touch screen for even more ease of operation
- > ATEX zone 22 execution
- > Control cabinet room
- > Fire detection and fire extinguishing system
- > Maintenance check contracts
- > „UNTHA carefree package“

1) Safety remote control

2) Safety remote control (expert)

A SELECTION OF IMPLEMENTED POST-SHREDDING PROJECTS



Application: Industrial and commercial waste
 Solution: TR3200
 Location: Great Britain



Application: Industrial and commercial waste
 Solution: TR3200
 Location: Ireland



Application: Industrial and commercial waste
 Solution: TR3200
 Location: Ireland



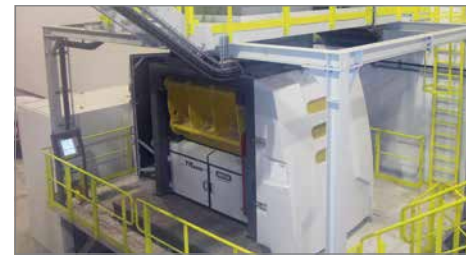
Application: Production waste
 Solution: TR3200
 Location: France



Application: Automotive shredder residue (ASR)
 Solution: TR3200
 Location: Great Britain



Application: Industrial and commercial waste
 Solution: TR3200
 Location: Great Britain



Application: Household waste
 Solution: TR2500
 Location: Poland



Application: Household waste
 Solution: TR3200
 Location: Great Britain





UNTHA

shredding technology

The reliable brand!



UNTHA shredding technology

Moldanstraße 141
A-5431 Kuchl / Salzburg, Austria
Tel +43 6244 7016 0
Fax +43 6244 7016 1
info@untha.com
www.untha.com



Authorised partner of UNTHA

UNTHA UK LTD
Excel House, Becklands Close,
Bar Lane, Roecliffe, Boroughbridge
YO51 9NR York
United Kingdom

Phone: +44 845 450 5388
Fax: +44 845 450 5389
sales@untha.co.uk

